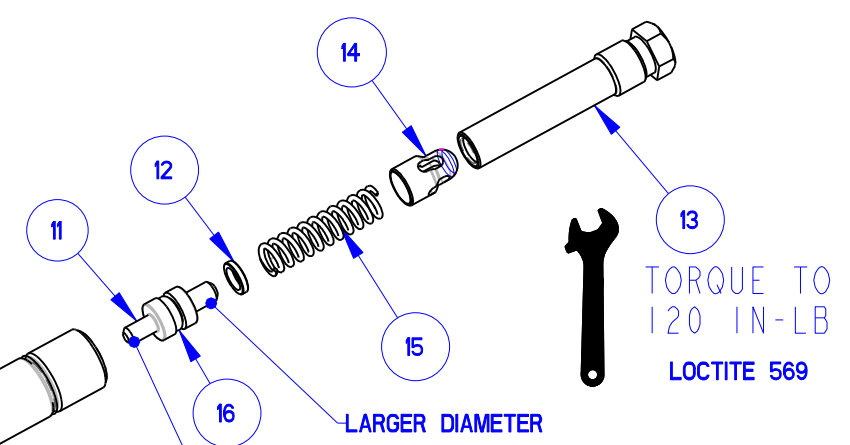


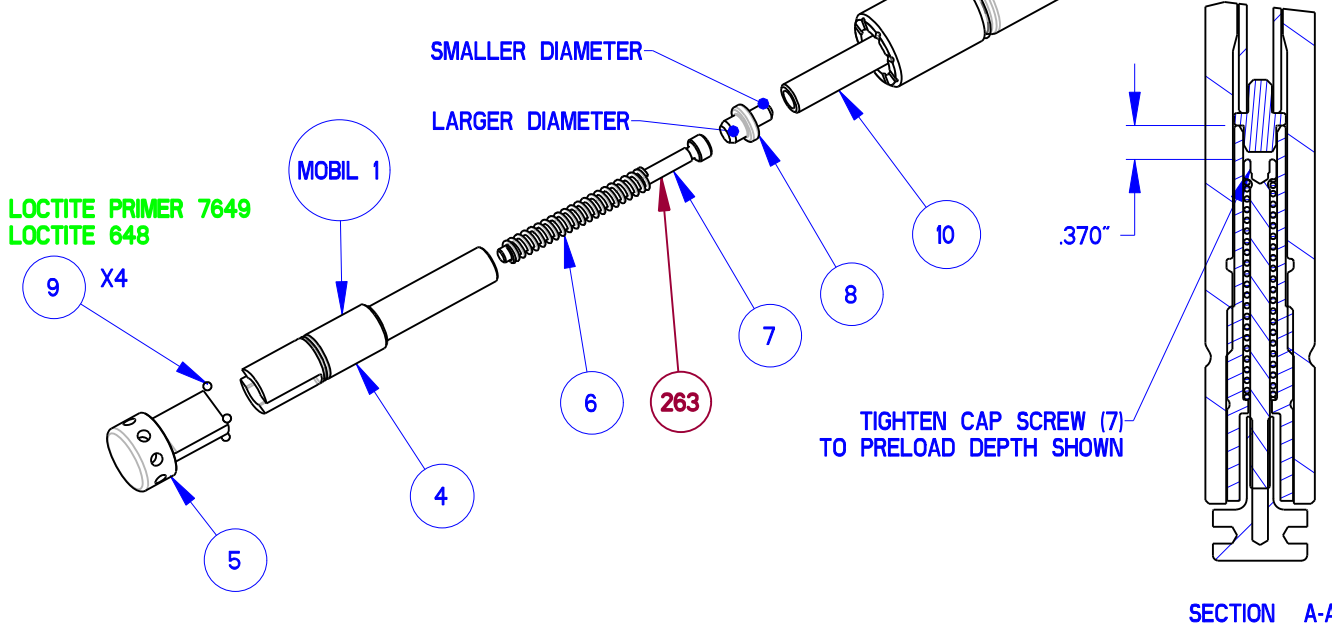
PS\_6020\_HSB\_9\_005B

NO.	DRAWING #	DESCRIPTION	QTTY
1	PS_6020_HSB_9		1
2	SH_739HS	SHAFT, 7300 HIGH-SPEED BLOW OFF	1
3	AS_KN_73HS_RD	ASSEMBLY, KNOB, 7300 SERIES HIGH-SPEED BLOW-OFF SHAFT OPTION	1
4	RS_73HS_081C	SCREW, 7300 HIGH-SPEED BLOW-OFF SHAFT ADJUSTER	1
5	KN_73HS_034C	KNOB, 7300 HIGH-SPEED BLOW-OFF SHAFT ADJUSTER	1
6	SP_70439	SPRING, DETENT	1
7	SC_73HS	SCREW, SHCS 4-40 X 1.750, DETENT	1
8	CP_73HS_036A	SPRING RETAINER, 7300 HIGH-SPEED BLOW-OFF SHAFT ADJUSTER	1
9	BA_0625_ST	.0625 STEEL BALL	4
10	MR_HSB_240	RD METERING ROD	1
11	BU_73HS_091A	BUSHING, 7300 HIGH-SPEED BLOW-OFF SHAFT SPRING SEAL	1
12	VW_73HSRD	VESPEL WASHER	1
13	JT_73HS_240C	JET, 7300 HIGH-SPEED BLOW-OFF SHAFT	1
14	JT_73HS_RD_VESPEL	JET, 7300 HIGH-SPEED BLOW-OFF SHAFT POPPET VALVE 01	1
15	SP_8770HSC_40	RENTON COIL-SPRING - VARIOUS RATES	1
16	OR_2007_B	O-RING, BUNA	1

# PS-6020-HSB ASSEMBLY PROCEDURE



- NOTES:
- 1) APPLY LOCTITE PRIMER TO (9) STEEL BALLS AND (5) AND ALLOW TO SET-UP UNTIL ODOR IS NO LONGER DETECTED.
  - 2) APPLY LOCTITE 648 TO HEMISPHERICAL POCKETS IN (5)
  - 3) USE PUNCH TO STAKE BALLS IN (5) WITH HAMMER. WIPE OFF EXCESS.
  - 4) LOCTITE THREAD SEALANT 569 IS APPLIED TO (13) AND TORQUE TO 120 IN LBS
  - 5) APPLY MOBIL 1 RED GREASE TO THREADS OF (4)
  - 6) APPLY LOCTITE 263 TO THREADS OF (7)
  - 7) TIGHTEN UNTIL CAP SCREW HEAD IS UNDER FLUSH WITH END OF (4) BY .370"
  - 8) UNLESS NOTED, ALL O-RINGS RECEIVE BEL-RAY WATERPROOF GREASE.



SCALE 0.750

SCALE 0.375

SHAFT P/N	SHAFT LENGTH	MR-12 LENGTH
SH-735HS	8.625"	3.130"
SH-736HS	9.625"	4.130"
SH-737HS	10.500"	5.005"
SH-738HS	11.500"	6.005"
SH-739HS	12.500"	7.005"

REVISIONS		
NO.	WAS	DATE
1	ISSUE	04/07/2011

THIRD ANGLE PROJECTION		DO NOT SCALE		IF IN DOUBT - ASK	
 150 FRANKLIN STREET, READING, PA 19603 U.S.A. (610)375-6180(PH) (610)375-6190(FAX)					
TOLERANCES U.S.	DESIGNED BY: JMA	CHECKED/FEA BY:	ISSUE DATE: 04/07/2011	WEIGHT(LBS.):	
FRAC. ± 1/32	MATERIAL:	MACH. FINISH: 32	FINISH/PROTECTION:	HEAT TREATMENT:	
.XX ± .010 .XXX ± .005 .XXXX ± .001	TITLE: PS-6020-HSB SHAFT OPTION, HSB				
ANG. ± 1/2°	SCALE: 1.000	SHEET 1 OF 1	DRAWING NUMBER: PS_6020_HSB_9_005B		