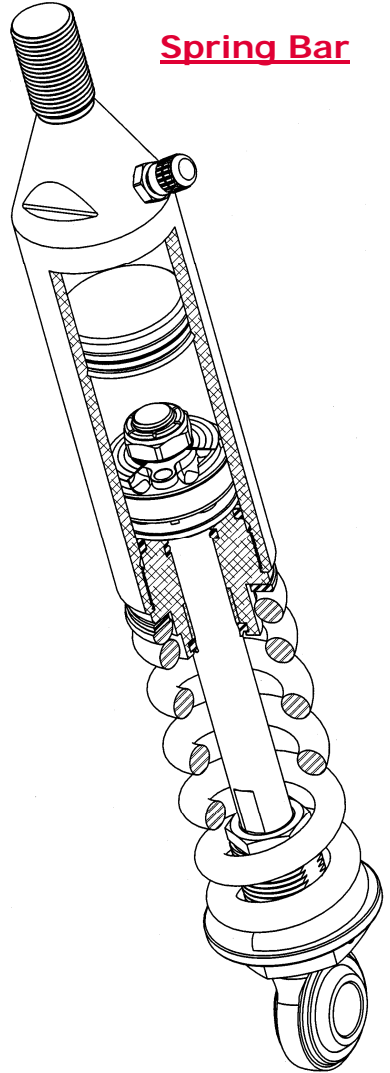


PENSKE

RACING SHOCKS

The PS-HTD spring bar is designed to provide consistent traction. Unlike other spring bars, compression and rebound can be adjusted internally to control various applications. The design features high-quality components and materials for increased durability and consistency.

Spring Bar



Dampens Oscillation Under Acceleration and Deceleration

Strong One-Piece Body

Gas Separator Piston

Low Friction Seals

Stainless Steel .625" Shaft

High Strength Spherical Rod End

Available with HYPERCO Springs (600, 900, and 1200 lb.)

Owner Revalvable

The Competitive Advantage of Champions

Main Office
Phone (610) 375-6180

PRS Midwest
Phone (517) 592-6681

PRS Southeast
Phone (386) 274-5332

PRS Canada
Phone (905) 684-7418

www.penskeshocks.com

REV. 11/07