

**PENSKE**  
RACING SHOCKS®



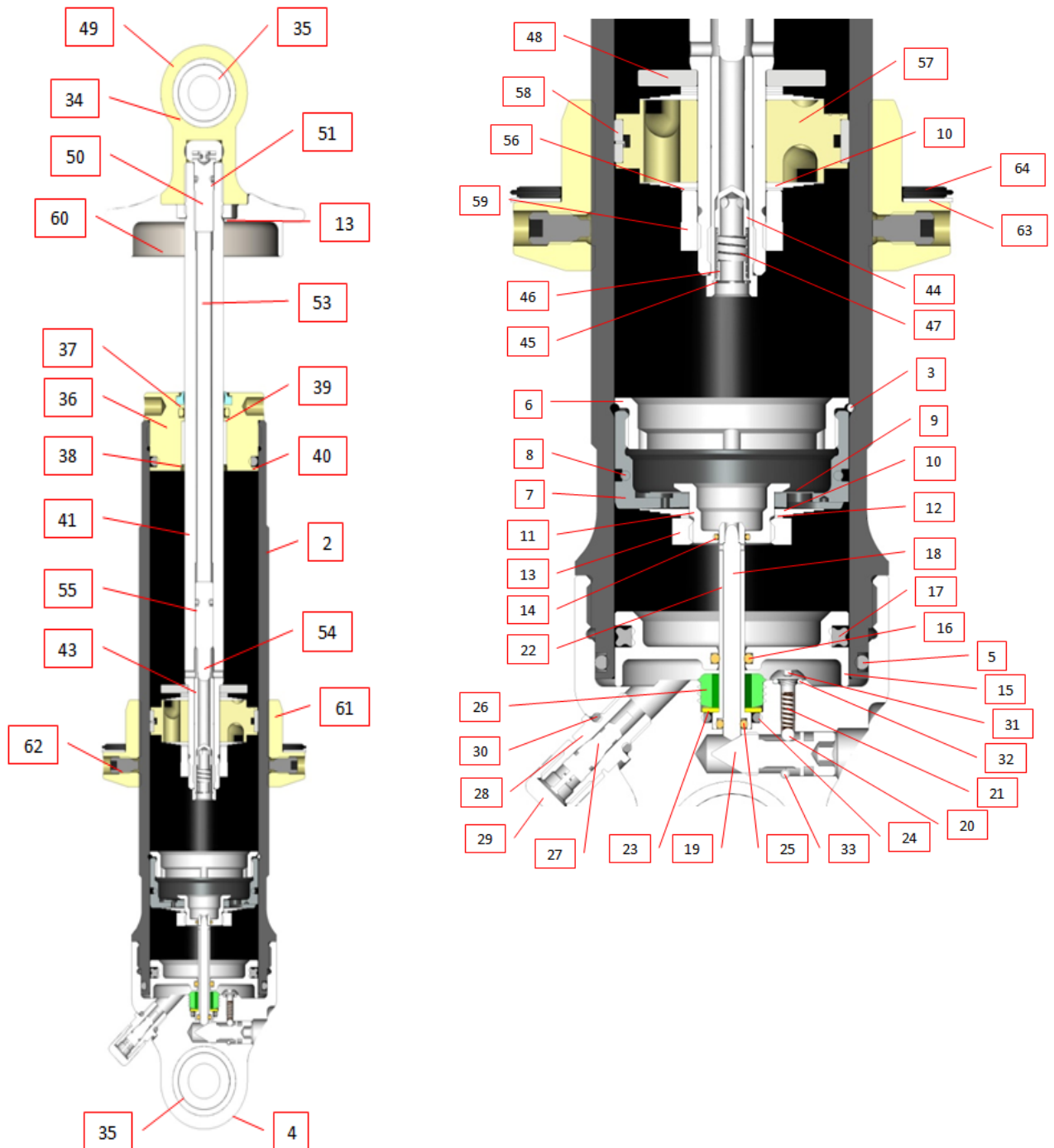
**2017 NASCAR MEXICO SERIES SPEC SHOCK**

P#- PS-75CODA-NM

SHOCK DESCRIPTION- 7500 SERIES DOUBLE ADJUSTABLE COIL  
OVER SHOCK.

SHOCK COST- \$395.00

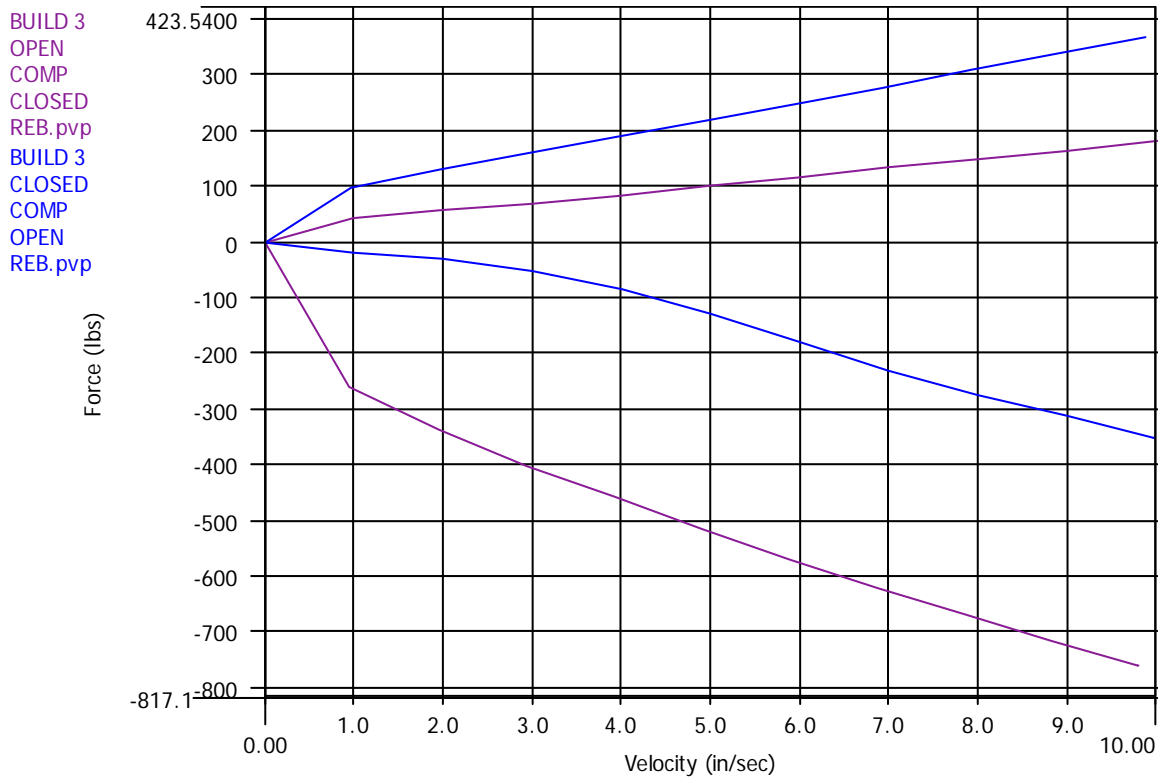
PARTS LIST-



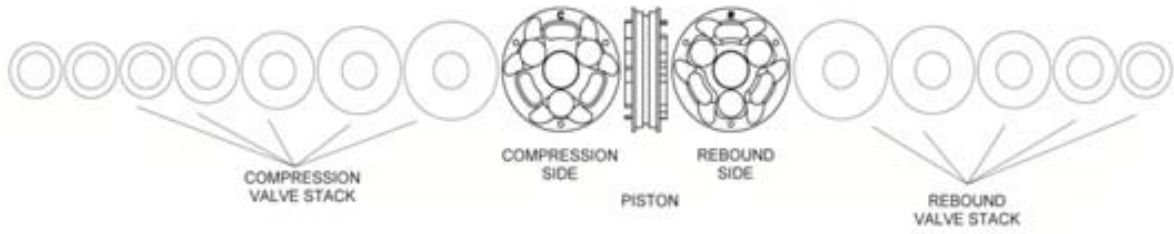
KEY	PART NUMBER	DESCRIPTION
2	BD-7560CO-DA	BODY, 7500 C/O
3	RR-06	WIRE RING, .0625 WIRE DIAMETER X 1.900"
4	BC-75DA-BLK	BODY CAP, 7500 DOUBLE ADJUSTABLE
5	OR-2133-B	O-RING, BUNA, 70 DUROMETER
6	CO-75HV-ST	COLLAR, 7500 SERIES HEAD VALVE
7	PI-75HV	PISTON, 7500 SERIES HV 3 PORT
8	OR-2029-V	O-RING, BUNA, 70 DUROMETER
9	VW-120004-625	WASHER, 1.200 X .004 X .625 VALVE
10	VS	VALVE STACK, COMPRESSION AND REBOUND
11	SC-75HV-DA	SCREW, 7500 DA HEAD VALVE
12	VW-75020-625	WASHER, .750 X .020 X .625 VALVE
13	NT-04J	JAM NUT, .625 X 18
14	OR-2008-V	O-RING, 5 MM X 1 MM, VITON
15	PI-75-DA	PISTON, 7500 DOUBLE ADJ FLOATING
16	OR-2008-V	O-RING, VITON, 70 DUROMETER, BROWN
17	OR-4221-B	QUAD RING, BUNA, 70 DUROMETER
18	NE-759-DA	NEEDLE, 7500 DOUBLE ADJUSTABLE
19	RS-73	REBOUND SCREW, 7300 HEX
20	BA-093-ST	BALL, 3/32 STEEL
21	SP-36	SPRING
22	FT-759-DA	FITTING, 7500 DOUBLE ADJUSTABLE
23	VW-75-DA	WASHER, 7500 DOUBLE ADJUSTABLE
24	OR-2011-B	O-RING, BUNA, 70 DUROMETER
25	OR-3MM X 1.5MM-V	O RING, 3MM X 1.5MM, VITON
26	SC-75-DA	SCREW, 7500 DA HOL-LOCK SOCK 500-20
27	IU-04	VALVE CORE, 2000 PSI
28	IU-22-S	AIR VALVE, PORT O-RING, S.S.
29	IU-06	VALVE CAP, HIGH TEMPERATURE
30	OR-2010-B	O-RING, BUNA, 70 DUROMETER
31	SC-75	SCREW, BUTTON HEAD 6/32 X 1/8"
32	OR-3.5MMX1MM	O-RING, VITON
33	DO-18	ROLL PIN, 1/16 X 1/2
34	RR-16	RET RING, 1.025 SPIROLOC, STAINLESS
35	MO-09	MONOBALL, .500 ID X 1.00 OD
36	SB-R53	SHAFT BEARING, 8760
37	SL-09	SHAFT WIPER, .625 POLY (BLUE)
38	BU-10DU06	BUSHING, DU .625 X .625
39	OR-2114-V	O-RING, VITON, 75 DUROMETER
40	OR-2221-B	O-RING, BUNA, 70 DUROMETER
41	SH-175A	SHAFT, 7500 ADJ

43	JT-RDHSNG	JET, RD STRAIGHT THRU
44	JT-76POP	JET, POPPET
45	RR-05	RETAINING RING, .250 INTERNAL
46	JT-76HAT	JET, TOP HAT
47	SP-15	SPRING
48	VW-99	TOP OUT PLATE, 1.375 X .500
49	EY-75160-S	EYELET, 7500
50	RS-81	REBOUND SCREW, ADJ SHAFT
51	OR-2008-B	O-RING, BUNA, 70 DUROMETER
53	MR-ROD	METERING ROD
54	NE-76	NEEDLE, 8760
55	OR-2007-B	O-RING, BUNA, 70 DUROMETER
56	VW-75020	WASHER, .750 X .020 X .500 VALVE
57	PI-HF12005	PISTON, 55MM,1°2°HIGH FLOW
58	PB-55	PISTON BAND, 55MM
59	NT-02R	RING NUT, .500 X 20, .440 LONG
60	SR-75250-S	SPRING RETAINER, 7500 CONE SILVER
61	RH-83250	RIDE HEIGHT, 8300
62	SC-M6M8-S	SCREW, GRUB M6 X 8MM NYLON

## DAMPING LEVELS-



## VALVING CODE-



COMPRESSION			REBOUND		
DIAMETER	THICKNESS	QTY	DIAMETER	THICKNESS	QTY
1.350	0.006	1	1.350	0.012	1
1.200	0.006	1	1.200	0.012	1
1.050	0.008	1	1.050	0.012	1
0.900	0.008	1	0.900	0.012	1
0.750	0.020	3	0.750	0.020	1