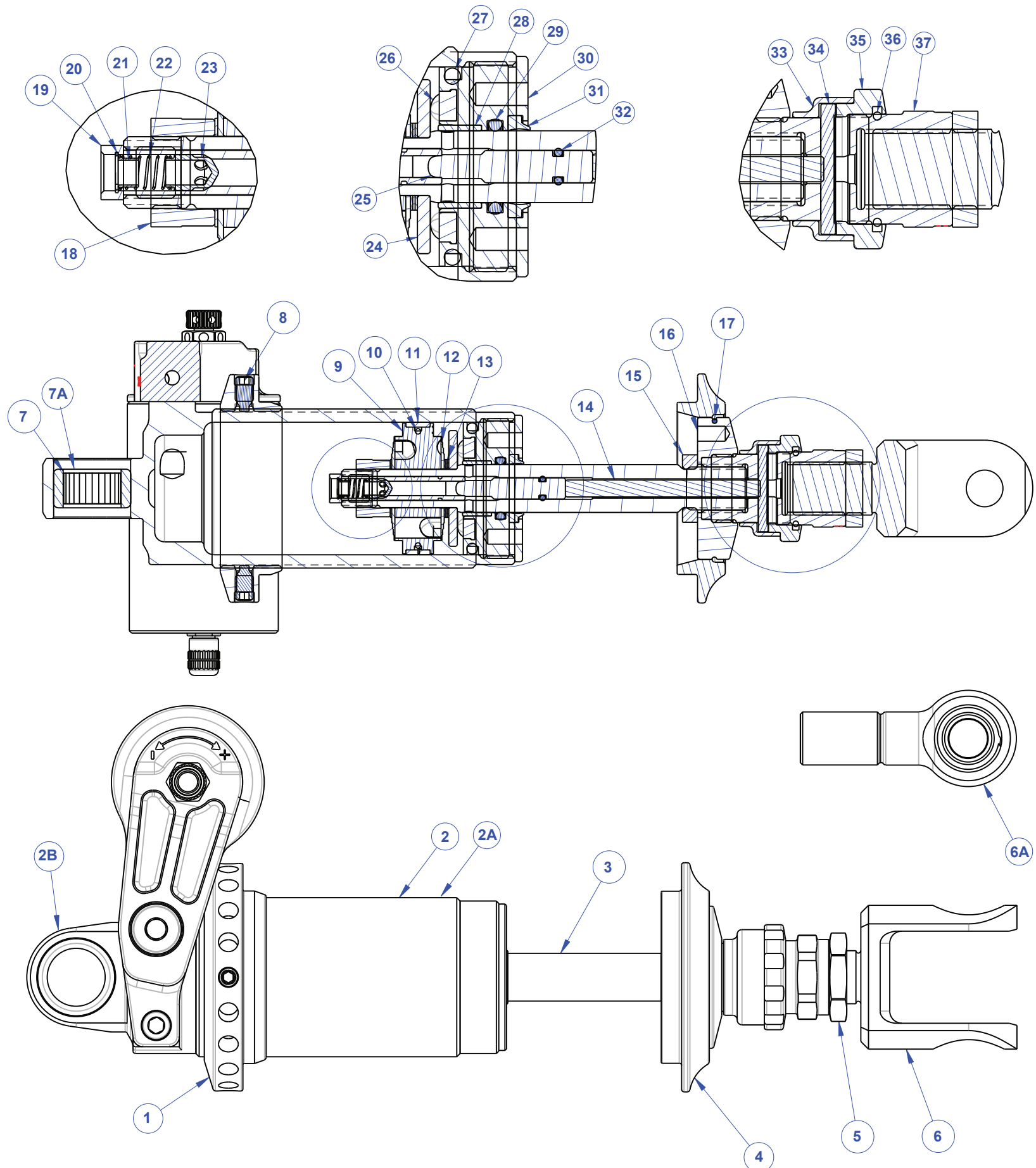


8987 Series Triple Adjustable Motorcycle Shock

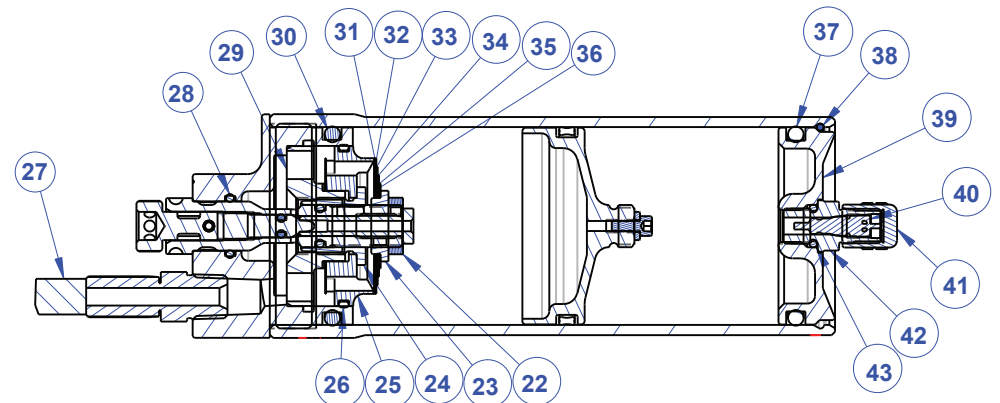
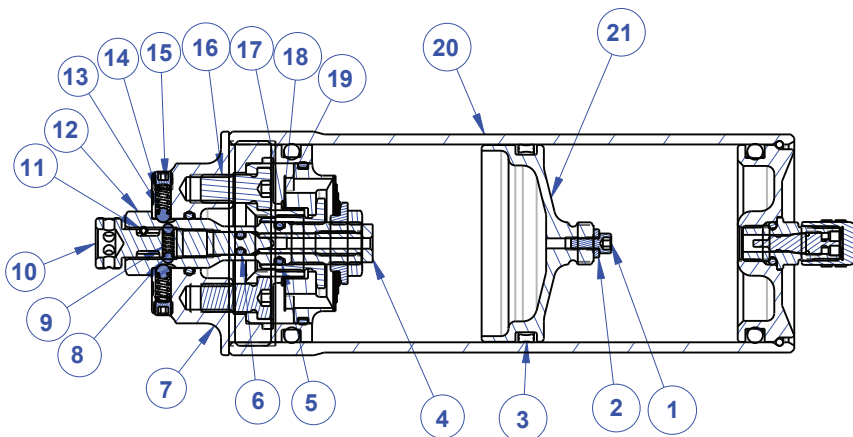
ITEM NO.	PART NO.	DESCRIPTION	ITEM NO.	PART NO.	DESCRIPTION
*	AS-89SB	SHAFT BEARING ASSEMBLY (ITEMS 26 - 31)	8	SC-M6M8-S	SCREW, SHCS M6 X 8MM STEEL W/NYLON
*	AS-89KBPLAT	REBOUND ADJUSTER ASSEMBLY (ITEMS 16 - 17, 33 - 37)	9	PI-	PISTON
1	RH-8983	RIDE HEIGHT, 8300 2.25	10	OR-2028-B	O-RING, 2-028 BUNA 70 DURO
2	BD-89R6	BODY, 1 PC 5.475, 2006 R6 PIGGYBACK (YAMAHA R6 ONLY)	11	PB-55	PISTON BAND, 55MM
2A	BD-83	BODY, 8300 C/O 10"- 24" ALUMINUM	12	VS-	VALVE STACK, (AA-F)
2B	BC-830	BODYCAP, 8300 0° (REMOTE ONLY)	13	VW-75020	WASHER, .750 X .020 X .500 VALVE
	BC-8390	BODYCAP, 8300 90° (REMOTE ONLY)	14	MR-ROD	METERING ROD
	BC-83CL	BODYCAP, 8900 CLEARANCE (REMOTE ONLY)	15	NT-04J	JAM NUT, .625 X 18
	BC-89PB	BODY CAP, 8900 (PIGGYBACK ONLY)	16	SR-89SRM	SPRING RETAINER, 8900 MOUNT
	BC-89PB-GSXR	BODY CAP, 8900 GSXR 2006 (PIGGYBACK ONLY)	17	RR-06	WIRE RING, .0625 WIRE DIAM. X 1.900
3	SH-	SHAFT, ADJ 10"- 24"	18	NT-02R	RING NUT, .500 X 20, .440 LONG
4	SR-89225	SPRING RETAINER, 8900 2.25	19	JT-RDHSNG	JET, RD STRAIGHT THRU
5	NT-06J	JAM NUT, .6875 X 20		JT-76RD	JET, REBOUND (ITEMS 19 - 23)
6	CL-89R6	CLEVIS 2008 R6 (YAMAHA R6 ONLY)	20	RR-05	RETAINING RING, .250 INTERNAL
	CL-8946	CLEVIS, 2.325 X 1.195 X 10MM	21	JT-76HAT	JET, TOP HAT
	CL-8948	CLEVIS, 2.325 X 1.195 X 12MM	22	SP-15	SPRING, (FF71)
	CL-8951	CLEVIS, 2.500 X 1.275 X 10MM	23	JT-76POP	JET, POPPET
	CL-8960	CLEVIS, 2.325 X 1.195 X 10MM	24	VW-99	TOP OUT PLATE, 1.375 X .500
	CL-8962	CLEVIS, 2.525 X 1.585 X 12MM	25	NE-76	NEEDLE, 8760
	CL-8964	CLEVIS, 2.575 X 1.195 X 10MM	26	BR-37	BUMP RUBBER, TOP OUT (RED)
	CL-8966	CLEVIS, 2.575 X 1.195 X 10MM X 5°	27	OR-2221-B	O-RING, 2-221 BUNA 70 DURO
6A*	EY-891775	EYELET, 8900 RHA	28	BU-10DU06	BUSHING, DU .625 X .375
	EY-892175-A	EYELET, 8900 RHA	29	OR-2114-V	O-RING, 2-114 VITON 75 DURO
	EY-892175-S	EYELET, 8900 RHA STEEL	30	SB-89	SHAFT BEARING, 8900
	EY-893050	EYELET, 8900 RHA	31	SL-09	SHAFT WIPER, .625 POLY (BLUE)
	EY-89RC45	EYELET, 8900 RC45	32	OR-2007-B	O-RING, 2-007 BUNA 70 DURO
Incl.*	MO-8T20	MONOBALL, .500 ID X .875 OD	33	CP-76RD	CAP, RD ADJUSTER
	RR-10	RETAINING RING, .875 SPIROLOC	34	DO-09	DOWEL PIN, 1/8 X 1 1/8
7	MO-5128	MONOBALL, NEEDLE ROLLER BEARING	35	KN-89RD	KNOB, 8900 PLATFORM RD RED
7A*	MO-8T	MONOBALL, .500 ID X 1.00" OD	36	OR-2021-B	O-RING, 2-021 BUNA 70 DURO
Incl.*	RR-16	RETAINING RING, 1.025 SPIROLOC, STAINLESS	37	SM-89KB	SHAFT MOUNT, 8900 KNOB PLATFORM



8987 Remote Compression Adjuster

ITEM NO.	PART NO.	DESCRIPTION
*	AS-76CDSHDIG	HIGHSPEED SHAFT ASSEMBLY (ITEMS 4 - 6, 8 - 12)
*	AS-76CH__-DG	HOUSING ASSEMBLY (TOP/SIDE) (ITEMS 4 - 19, 22 - 26, 28 - 36)
*	AS-76RESCAP	RESERVOIR CAP ASSEMBLY (ITEMS 37, 39 - 43)
1	SC-18	SCREW, SHCS 4-40 X1/4
2	SL-87	SEAL, DOWTY
3	OR-4222-B	QUAD RING,4-222 BUNA 70 DURO
4	JT-76CDSH	JET, HIGH SPEED SHAFT
5	OR-2010-B	O-RING, 2-010 BUNA 70 DURO
6	OR-2004-B	O-RING, 2-004 BUNA 70 DURO
7	HG-76SIDE	HOUSING, 8760 SIDE
	HG-76TOP	HOUSING, 8760 TOP
8	BA-093-ST	BALL, 3/32 STEEL
9	SP-12	SPRING, (3648)
10	SC-76LS	SCREW, 8760 CD CURVED LOW SPEED
11	DO-18	ROLL PIN, 1/16 X 1/2
12	SH-76CDSHDIG	SHAFT, CD HIGH SPEED, DIG. CD UNIT
13	BA-125-ST	BALL, 1/8 STEEL
14	SP-14	SPRING, (A109)
15	SC-08	SCREW, SOCKET SET8/32 X 1/8
16	SC-14	SCREW, SHCS 1/4-20 LOW HEAD
17	VW-75015-625	WASHER, .750 X .015 X .625 VALVE
18	VW-75010-625	WASHER, .750 X .010 X .625 VALVE
19	VW-120004-625	WASHER, 1.200 X .004 X .625 VALVE

ITEM NO.	PART NO.	DESCRIPTION
20	RB-76	RESERVOIR BODY, (4" - 7")
21	PI-76	PISTON, 8760 RESERVOIR
22	NT-76CDJ	JAM NUT, 8760 H/S CD SHAFT TOP HAT
23	NT-76CDT	NUT, 8760 H/S CD SHAFT TOP HAT
24	SC-76INS	SCREW, PISTON INSERT
25	PI-76CDDIG	PISTON, CD DIG
26	OR-2025-B	O-RING, 2-025 BUNA 70 DURO
27	HO-83	HOSE, 8300 (6"-36")
28	OR-2013-B	O-RING, 2-013 BUNA 70 DURO
29	PI-76DIGPLATE	PISTON, 8760 DIG CD PLATE
30	OR-2222-B	O-RING, 2-222 BUNA 70 DURO
31	VW-120008	WASHER, 1.200 X .008 X .500 VALVE
32	VW-120010	WASHER, 1.200 X .010 X .500 VALVE
33	VW-105012	WASHER, 1.050 X .012 X .500 VALVE
34	VW-90012	WASHER, .900 X .012 X .500 VALVE
35	VW-75006	WASHER, .750 X .006 X .500 VALVE
36	VW-75008	WASHER, .750 X .008 X .500 VALVE
37	OR-2222-B	O-RING, 2-222 BUNA 70 DURO
38	RR-06	WIRE RING, .0625 WIRE DIAM. X 1.900
39	CP-76	CAP, RESERVOIR PORT O-RING
40	IU-04	VALVE CORE, 2000 PSI
41	IU-06	VALVE CAP, HIGH TEMPERATURE
42	IU-20-A	AIR VALVE, PORT O-RING, ALUM.
43	OR-2010-B	O-RING, 2-010 BUNA 70 DURO



8987 Piggyback Compression Adjuster

ITEM NO.	PART NO.	DESCRIPTION
*	AS-89RCAP	RESERVOIR CAP ASSEMBLY (ITEMS 45 - 50)
*	AS-89PB-GSXR	HOUSING ASSEMBLY, GSXR (ITEMS 6 - 25, 27 - 28, 30 - 44)
	AS-89PB-R6	HOUSING ASSEMBLY, R6 (ITEMS 6 - 25, 27 - 28, 30 - 44)
	AS-89PB-DG	HOUSING ASSEMBLY, PIGGYBACK (ITEMS 6 - 25, 27 - 28, 30 - 44)
	AS76CHPBDG	HOUSING ASSEMBLY, PIGGYBACK (ITEMS 6 - 25, 27 - 28, 30 - 44)
*	AS-76CDSHDIG	HIGHSPEED SHAFT ASSEMBLY (ITEMS 8, 12 - 17, 25)
1	SC-18	SCREW, SHCS 4-40 X1/4
2	SL-87	SEAL, DOWTY
3	PI-89MX	PISTON, RESERVOIR 8900 PB
4	OR-4223-B	QUAD RING, 4-223 BUNA 70 DURO
5	PB-55	PISTON BAND, 55MM
6	NT-76CDJ	JAM NUT, 8760 H/S CD SHAFT TOP HAT
7	NT-76CDT	NUT, 8760 H/S CD SHAFT TOP HAT
8	OR-2010-B	O-RING, 2-010 BUNA 70 DURO
9	SC-08	SCREW, SOCKET SET8/32 X 1/8
10	SP-14	SPRING, (A109)
11	BA-125-ST	BALL, 1/8 STEEL
12	DO-18	ROLL PIN, 1/16 X 1/2
13	SH-76CDSHDIG	SHAFT, CD HIGH SPEED, DIG. CD UNIT
14	SP-12	SPRING, (3648)
15	BA-093-ST	BALL, 3/32 STEEL
16	SC-76LS	SCREW, 8760 CD CURVED LOW SPEED
17	OR-2004-B	O-RING, 2-004 BUNA 70 DURO
18	SC-14	SCREW, SHCS 1/4-20 LOW HEAD
19	VW-120008	WASHER, 1.200 X .008 X .500 VALVE
20	VW-120010	WASHER, 1.200 X .010 X .500 VALVE
21	VW-105012	WASHER, 1.050 X .012 X .500 VALVE
22	VW-90012	WASHER, .900 X .012 X .500 VALVE
23	VW-75006	WASHER, .750 X .006 X .500 VALVE
24	VW-75008	WASHER, .750 X .008 X .500 VALVE

ITEM NO.	PART NO.	DESCRIPTION
25	JT-76CDSH	JET, HIGH SPEED SHAFT
26	RR-06	WIRE RING, .0625 WIRE DIAM. X 1.900
27	MO-5128	MONOBALL, NEEDLE ROLLER BEARING
28	BC-89PB-GSXR	BODY CAP, 8900 PIGGYBACK GSXR 06 (GSXR HOUSING)
29	RB-89325	RESERVOIR BODY, 3.25"
30	SC-76INS	SCREW, PISTON INSERT
31	PI-76CDDIG	PISTON, CD DIG
32	OR-2025-B	O-RING, 2-025 BUNA 70 DURO
33	OR-2222-B	O-RING, 2-222 BUNA 70 DURO
34	OR-2013-B	O-RING, 2-013 BUNA 70 DURO
35	HG-89PB-GSXR	HOUSING, 8900 CD PIGGYBACK GSXR
	HG-89PB-R6	HOUSING, 8900 CD PIGGYBACK R6
	HG-89PB	HOUSING, 8900 CD PIGGYBACK
	HG-76PB55	HOUSING, PIGGYBACK 55MM
36	OR-10MMX1.5MM-B	O-RING, 10 MM X 1.5 MM, BUNA (GSXR HOUSING)
37	SC-89PB	SCREW, BANJO BOLT (GSXR HOUSING)
38	FT-218-AL	LEE PLUG, .218 SHORT ALUMINUM (GSXR OR R6 HOUSING)
	FT-29-SS	LEE PLUG, .187 SHORT S.S. (PB HOUSING)
39	SC-90	SCREW, SHCS 1/4-20 X.625 STAINLESS (GSXR HOUSING)
40	OR-7MMX1.5MM-B	O-RING, 7 MM X 1.5 MM, BUNA (GSXR HOUSING)
41	PI-76DIGPLATE	PISTON, 8760 DIG CD PLATE
42	VW-120004-625	WASHER, 1.200 X .004 X .625 VALVE
43	VW-75015-625	WASHER, .750 X .015 X .625 VALVE
44	VW-75010-625	WASHER, .750 X .010 X .625 VALVE
45	OR-2223-B	O-RING, 2-223 BUNA 70 DURO
46	CP-89R	CAP, 8900 RESERVOIR
47	IU-04	VALVE CORE, 2000 PSI
48	IU-06	VALVE CAP, HIGH TEMPERATURE
49	IU-20-A	AIR VALVE, PORT O-RING, ALUM.
50	OR-2010-B	O-RING, 2-010 BUNA 70 DURO

