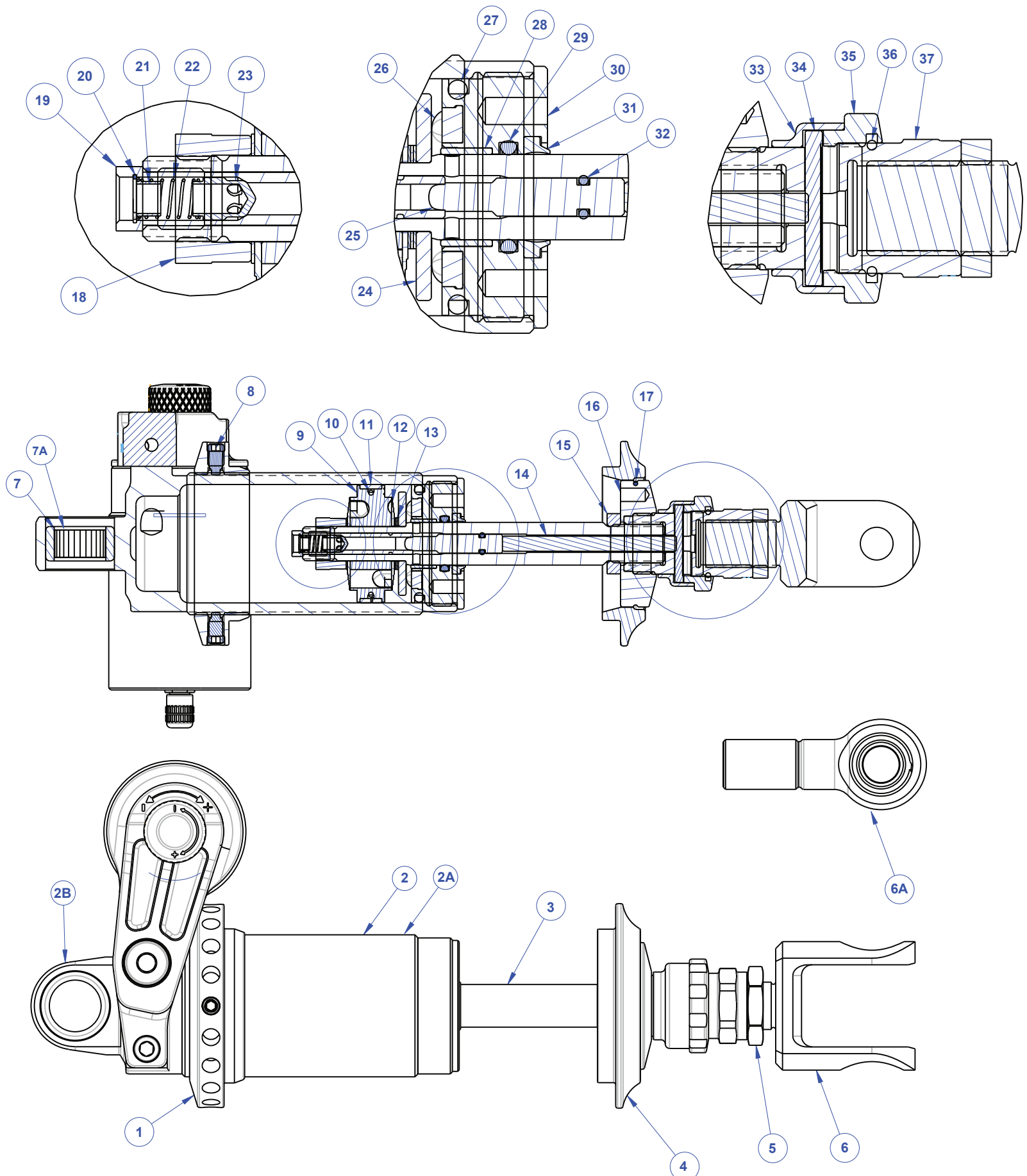


8983 Series Double Adjustable Motorcycle Shock

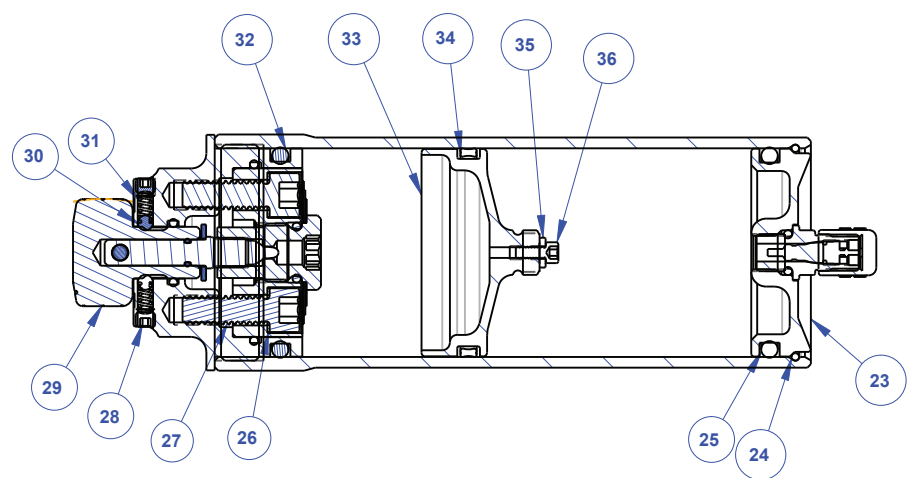
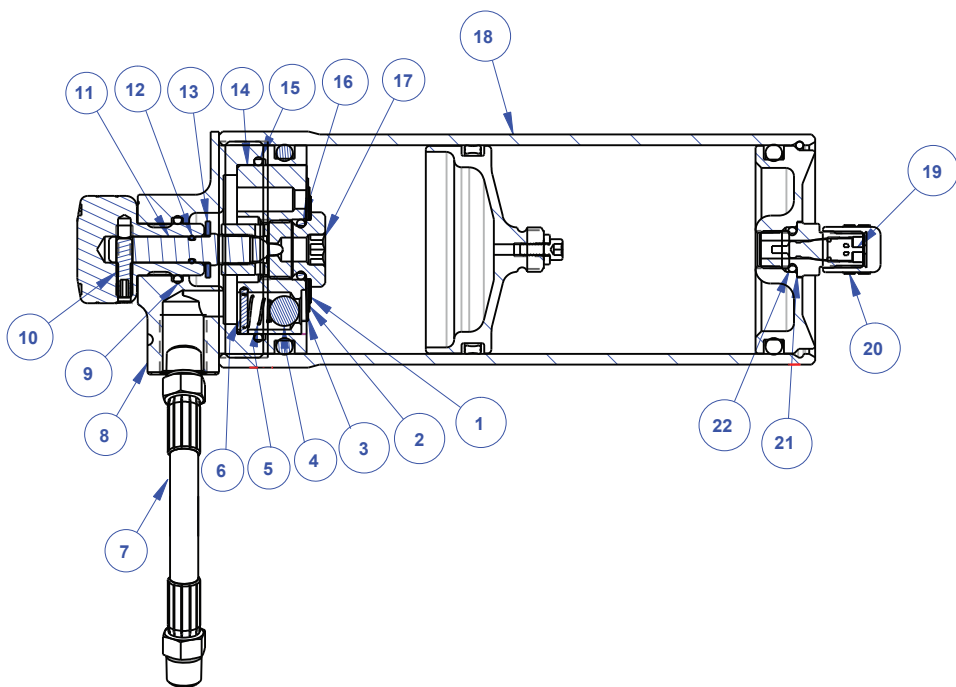
ITEM NO.	PART NO.	DESCRIPTION	ITEM NO.	PART NO.	DESCRIPTION
*	AS-89SB	SHAFT BEARING ASSEMBLY (ITEMS 26 - 31)	8	SC-M6M8-S	SCREW, SHCS M6 X 8MM STEEL W/NYLON
*	AS-89KBPLAT	REBOUND ADJUSTER ASSEMBLY (ITEMS 16 - 17, 33 - 37)	9	PI-	PISTON
1	RH-8983	RIDE HEIGHT, 8300 2.25	10	OR-2028-B	O-RING, 2-028 BUNA 70 DURO
2	BD-89R6	BODY, 1 PC 5.475, 2006 R6 PIGGYBACK (YAMAHA R6 ONLY)	11	PB-55	PISTON BAND, 55MM
2A	BD-83	BODY, 8300 C/O 10"- 24" ALUMINUM	12	VS-	VALVE STACK, (AA-F)
2B	BC-830	BODYCAP, 8300 0° (REMOTE ONLY)	13	VW-75020	WASHER, .750 X .020 X .500 VALVE
	BC-8390	BODYCAP, 8300 90° (REMOTE ONLY)	14	MR-ROD	METERING ROD
	BC-83CL	BODYCAP, 8900 CLEARANCE (REMOTE ONLY)	15	NT-04J	JAM NUT, .625 X 18
	BC-89PB	BODY CAP, 8900 (PIGGYBACK ONLY)	16	SR-89SRM	SPRING RETAINER, 8900 MOUNT
	BC-89PB-GSXR	BODY CAP, 8900 GSXR 2006 (PIGGYBACK ONLY)	17	RR-06	WIRE RING, .0625 WIRE DIAM. X 1.900
3	SH-	SHAFT, ADJ 10"- 24"	18	NT-02R	RING NUT, .500 X 20, .440 LONG
4	SR-89225	SPRING RETAINER, 8900 2.25	19	JT-RDHSNG	JET, RD STRAIGHT THRU
5	NT-06J	JAM NUT, .6875 X 20		JT-76RD	JET, REBOUND (ITEMS 19 - 23)
6	CL-89R6	CLEVIS 2008 R6 (YAMAHA R6 ONLY)	20	RR-05	RETAINING RING, .250 INTERNAL
	CL-8946	CLEVIS, 2.325 X 1.195 X 10MM	21	JT-76HAT	JET, TOP HAT
	CL-8948	CLEVIS, 2.325 X 1.195 X 12MM	22	SP-15	SPRING, (FF71)
	CL-8951	CLEVIS, 2.500 X 1.275 X 10MM	23	JT-76POP	JET, POPPET
	CL-8960	CLEVIS, 2.325 X 1.195 X 10MM	24	VW-99	TOP OUT PLATE, 1.375 X .500
	CL-8962	CLEVIS, 2.525 X 1.585 X 12MM	25	NE-76	NEEDLE, 8760
	CL-8964	CLEVIS, 2.575 X 1.195 X 10MM	26	BR-37	BUMP RUBBER, TOP OUT (RED)
	CL-8966	CLEVIS, 2.575 X 1.195 X 10MM X 5°	27	OR-2221-B	O-RING, 2-221 BUNA 70 DURO
6A*	EY-891775	EYELET, 8900 RHA	28	BU-10DU06	BUSHING, DU .625 X .375
	EY-892175-A	EYELET, 8900 RHA	29	OR-2114-V	O-RING, 2-114 VITON 75 DURO
	EY-892175-S	EYELET, 8900 RHA STEEL	30	SB-89	SHAFT BEARING, 8900
	EY-893050	EYELET, 8900 RHA	31	SL-09	SHAFT WIPER, .625 POLY (BLUE)
	EY-89RC45	EYELET, 8900 RC45	32	OR-2007-B	O-RING, 2-007 BUNA 70 DURO
Incl.*	MO-8T20	MONOBALL, .500 ID X .875 OD	33	CP-76RD	CAP, RD ADJUSTER
	RR-10	RETAINING RING, .875 SPIROLOC	34	DO-09	DOWEL PIN, 1/8 X 1 1/8
7	MO-5128	MONOBALL, NEEDLE ROLLER BEARING	35	KN-89RD	KNOB, 8900 PLATFORM RD RED
7A*	MO-8T	MONOBALL, .500 ID X 1.00" OD	36	OR-2021-B	O-RING, 2-021 BUNA 70 DURO
Incl.*	RR-16	RETAINING RING, 1.025 SPIROLOC, STAINLESS	37	SM-89KB	SHAFT MOUNT, 8900 KNOB PLATFORM



8983 Remote Compression Adjuster

ITEM NO.	PART NO.	DESCRIPTION
*	AS-76RESCAP	RESERVOIR CAP ASSEMBLY (ITEMS 19 - 23, 25)
*	AS-83	HOUSING ASSEMBLY (SIDE / TOP) (ITEMS 1 - 6, 8 - 17, 26 - 32)
1	VW-90012	WASHER, .900 X .012 X .500 VALVE
2	VW-105012	WASHER, 1.050 X .012 X .500 VALVE
3	VW-120012	WASHER, 1.200 X .012 X .500 VALVE
4	BA-250-ST	BALL, 1/4 STEEL
5	SP-10	SPRING, (TA2086)
6	DO-06	DOWEL PIN, 1/16 X 3/8
7	HO-83	HOSE, 8300 (6"-36")
8	HG-76SIDE	HOUSING, 8760 SIDE
	HG-76TOP	HOUSING, 8760 TOP
9	OR-2013-V	O-RING, 2-013 VITON 70 DURO
10	SC-91	SCREW, SOCKET SET 6-32 X .500"
11	SC-83LS	SCREW, 8300 CD ADJUSTER
12	OR-4MMX1MM-B	O-RING, 4 MM X1 MM BUNA
13	VW-83CD	WASHER, 8300 CD ADJUSTER
14	PI-83CD	PISTON, 8300 CD ADJUSTER
15	OR-2028-B	O-RING, 2-028 BUNA 70 DURO
16	OR-2012-B	O-RING, 2-012 BUNA 70 DURO

ITEM NO.	PART NO.	DESCRIPTION
17	JT-83LS	JET, 8300 CD ADJUSTER
18	RB-76	RESERVOIR BODY, (4" - 7")
19	IU-04	VALVE CORE, 2000 PSI
20	IU-06	VALVE CAP, HIGH TEMPERATURE
21	IU-20-A	AIR VALVE, PORT O-RING, ALUM.
22	OR-2010-B	O-RING, 2-010 BUNA 70 DURO
23	CP-76	CAP, RESERVOIR PORT O-RING
24	RR-06	WIRE RING, .0625 WIRE DIAM. X 1.900
25	OR-2222-B	O-RING, 2-222 BUNA 70 DURO
26	VW-01-C	CRUSH WASHER, .25 ID. COPPER
27	SC-06	SCREW, 1/2-20 X 3/4
28	SC-08	SCREW, SOCKET SET8/32 X 1/8
29	KN- 83LS	KNOB, 8300 CD ADJUSTER
30	BA-125-ST	BALL, 1/8 STEEL
31	SP-14	SPRING, (A109)
32	OR-2222-B	O-RING, 2-222 BUNA 70 DURO
33	PI-76	PISTON, 8760 RESERVOIR
34	OR-4222-B	QUAD RING,4-222 BUNA 70 DURO
35	SL-87	SEAL, DOWTY
36	SC-18	SCREW, SHCS 4-40 X1/4



8983 Piggyback Compression Adjuster

ITEM NO.	PART NO.	DESCRIPTION
*	AS-89RCAP	RESERVOIR CAP ASSEMBLY (ITEMS 18 - 19, 31 - 33, 35)
*	AS-83PB-R6	HOUSING ASSEMBLY, R6 (ITEMS 3 - 13, 20 - 30, 36, 40)
	AS-83CHPB-GSXR	HOUSING ASSEMBLY, GSXR (ITEMS 3 - 13, 20 - 30, 36, 40)
	AS-8983PB	HOUSING ASSEMBLY, PIGGYBACK (ITEMS 3 - 13, 20 - 30, 36, 40)
	AS-83CHPB	HOUSING ASSEMBLY, PIGGYBACK (ITEMS 3 - 13, 20 - 30, 36, 40)
1	RB-89325	RESERVOIR BODY, 3.25"
2	PB-55	PISTON BAND, 55MM
3	OR-2222-B	O-RING, 2-222 BUNA 70 DURO
4	PI-83CD	PISTON, 8300 CD ADJUSTER
5	SC-08	SCREW, SOCKET SET8/32 X 1/8
6	SP-14	SPRING, (A 10-9) (R6 HOUSING)
	SP-12	SPRING, (3648) (PB OR GSXR HOUSING)
7	BA-125-ST	BALL, 1/8 STEEL
8	SC-83LS	SCREW, 8300 CD ADJUSTER
9	SC-06	SCREW, 1/2-20 X 3/4
10	VW-01-C	CRUSH WASHER, .25 ID. COPPER
11	VW-120012	WASHER, 1.200 X .012 X .500 VALVE
12	VW-105012	WASHER, 1.050 X .012 X .500 VALVE
13	VW-90012	WASHER, .900 X .012 X .500 VALVE
14	OR-4223-B	QUAD RING,4-223 BUNA 70 DURO
15	PI-89MX	PISTON, RESERVOIR 8900 PB
16	SL-87	SEAL, DOWTY
17	SC-18	SCREW, SHCS 4-40 X1/4
18	CP-89R	CAP, 8900 RESERVOIR
19	IU-06	VALVE CAP, HIGH TEMPERATURE

ITEM NO.	PART NO.	DESCRIPTION
20	JT-83LS	JET, 8300 CD ADJUSTER
21	OR-2012-B	O-RING, 2-012 BUNA 70 DURO
22	OR-2028-B	O-RING, 2-028 BUNA 70 DURO
23	VW-83CD	WASHER, 8300 CD ADJUSTER
24	OR-4MMX1MM-B	O-RING, 4 MM X1 MM BUNA (R6 OR PB HOUSING)
25	OR-2013-V	O-RING, 2-013 VITON 70 DURO
26	SC-91	SCREW, SOCKET SET 6-32 X .500"
27	KN- 83LS	KNOB, 8300 CD ADJUSTER
28	DO-06	DOWEL PIN, 1/16 X 3/8
29	SP-10	SPRING, (TA2086)
30	BA-250-ST	BALL, 1/4 STEEL
31	IU-20-A	AIR VALVE, PORT O-RING, ALUM.
32	IU-04	VALVE CORE, 2000 PSI
33	OR-2010-B	O-RING, 2-010 BUNA 70 DURO
34	RR-06	WIRE RING, .0625 WIRE DIAM. X 1.900
35	OR-2223-B	O-RING, 2-223 BUNA 70 DURO
36	HG-89PB-R6	HOUSING, 8900 CD PIGGYBACK R6
	HG-89PB-GSXR	HOUSING, 8900 CD PIGGYBACK GSXR
	HG-89PB	HOUSING, 8900 CD PIGGYBACK
	HG-76PB55	HOUSING, PIGGYBACK 55MM
37	OR-7MMX1.5MM-B	O-RING, 7 MM X 1.5 MM, BUNA
38	OR-10MMX1.5MM-B	O-RING, 10 MM X 1.5 MM, BUNA
39	SC-89PB	SCREW, BANJO BOLT
40	FT-218-AL	LEE PLUG, .218 SHORT ALUMINUM
	FT-29-SS	LEE PLUG, .187 SHORT S.S. (PB HOUSING)
41	SC-90	SCREW, SHCS 1/4-20 X.625 STAINLESS

